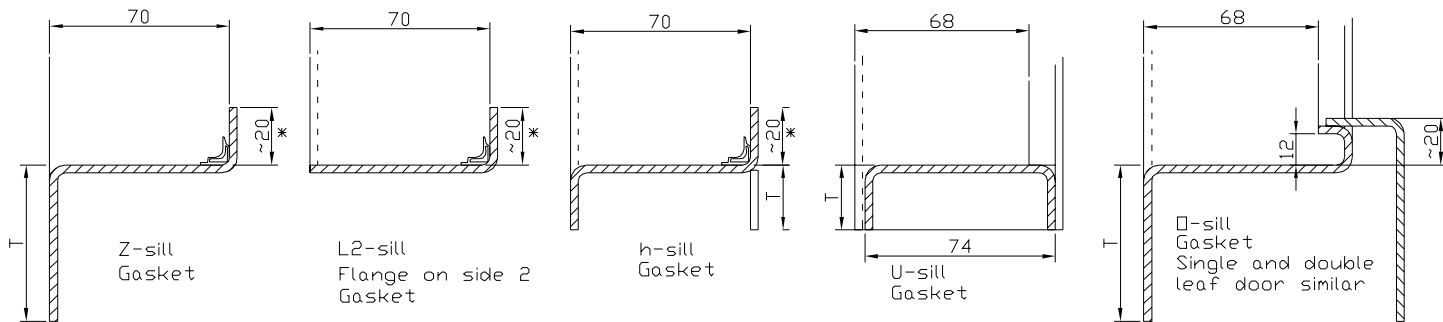
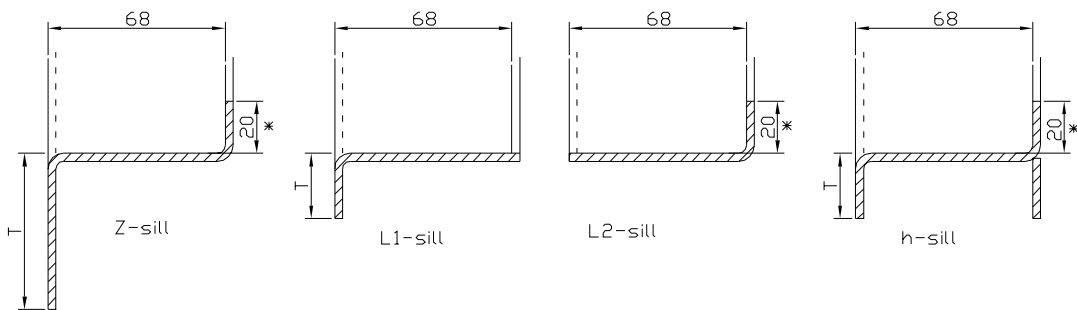
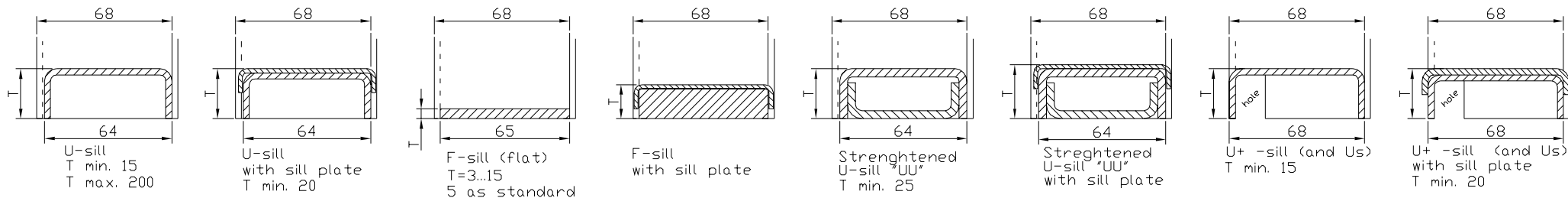



Note. Dimension T from top of sill plate



*) 30 mm when double leaf door

A	Gasket changed	22.10.2019 np
Rev.	Rev. notes	Designer
	Client A-60 hinged fire door, Sill types	Designer 30.11.2004 PR
	U and Z are standard sill types	Work no.
	□ other sill types optional	
		Drwg. no. SA-22551A
\\srv01\pohjat\tuotanto\tuotestandardi\tr42		Based on drwg. no
\\kuvat\karmin_suunnitteluohje\SA-22551.dwg		